

## Compas Swing gate operator



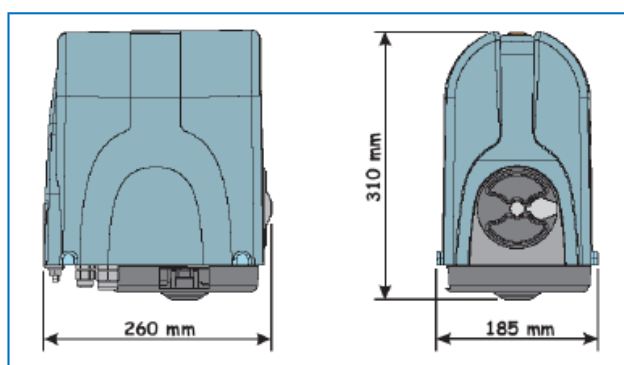
Compas is an innovative harmonic swing gate drive, it has inbuilt stops and a unique anti-wind function makes it an ideal choice for wind affected applications.

The 24vdc motor can operate gates up to 2.5 metres and an optional battery back up is available.

It has self programming control panel and a choice of operating speeds.

The control panel is suitable for use with a wide range of radio transmitters and safety beams.

Specifications	Compas 24
POWER SUPPLY	24
POWER (Watts)	140
CURRENT (A)	3
THRUST (DaN)	250
OPENING TIME	13
MAXIMUM LEAF SIZE	2.5M
FREQUENCY OF USE	80 P/DAY
OPERATOR WEIGHT	8
PROTECTION	IP44



**Rotech Automation**

**Rotech LED Lighting**

**Rotech Fire + Safety**

Rotech supply all forms of door + gate automation equipment. Call or email us for more information.

- \* Swing Gate Operators
- \* Sliding Gate Operators
- \* Safety Systems
- \* Industrial Door Operators
- \* Boom Gates
- \* Bollards
- \* Turnstiles
- \* Flap Gates