

## SENTINEL NV SERIES

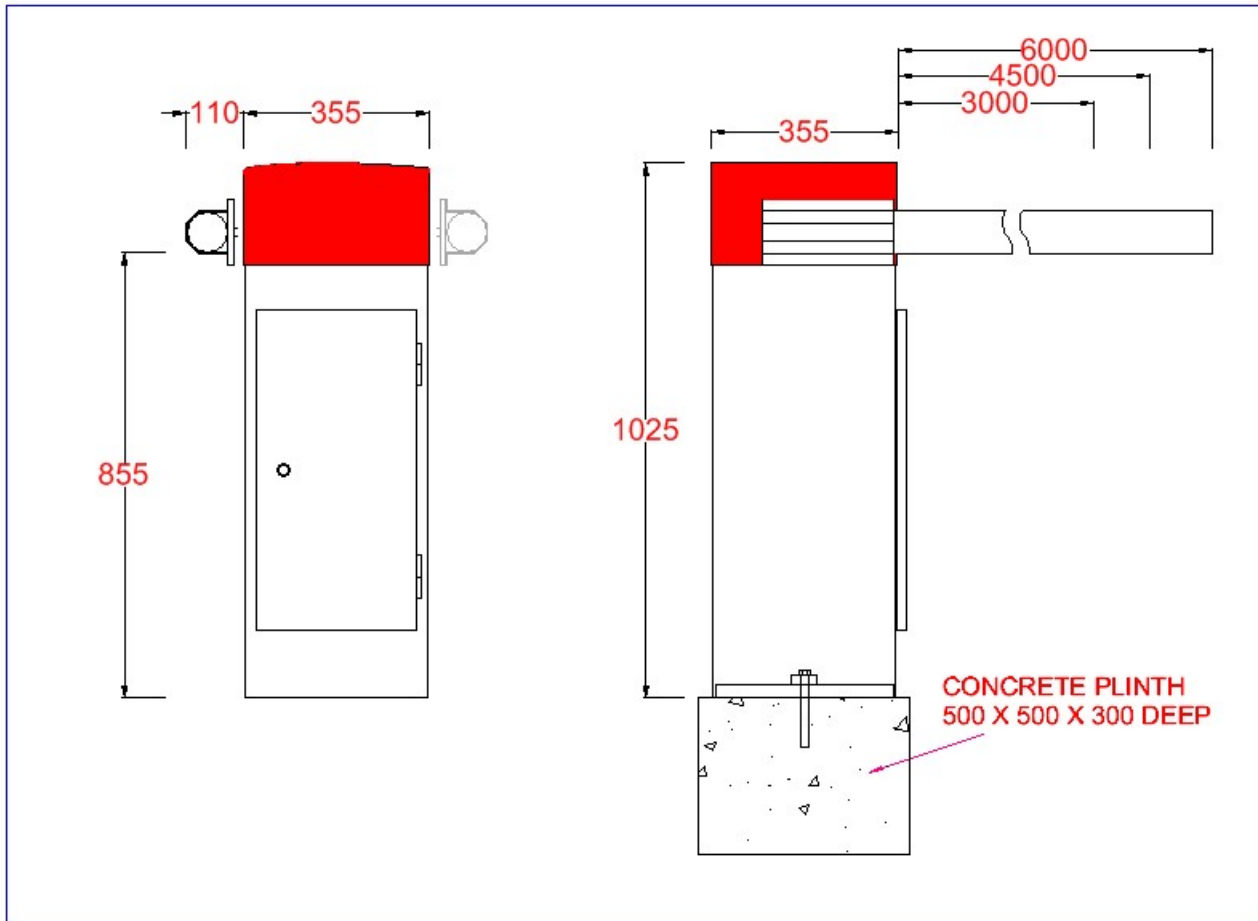
Automatic Boom Gates



The Sentinel series of boom gates are designed for continuous (100% duty cycle) operation in applications such as large shopping centres, airports and toll roads. The very fast operating speed allows opening times of up to 2.7 seconds and the design of the control circuit ensures a rapid throughput of vehicles. The use of a Torque motor eliminates the need for limit switches, reduces the amount of wearing parts and the plug in control panel can be changed in less than 5 minutes reducing down time, loss of revenue and maintenance costs. The boom gate cabinet is available in mild steel or stainless steel and is powder coated white with a red cover. The boom gates are Australian made based on a European design.

### Standard Features:

- \* Automatic boom raise on power failure or fire alarm.
- \* Boom pole type. 76mm round aluminium pole up to 6 metres
- \* Memory input enables a number of vehicles to pass the boom without opening and closing for each vehicle allowing rapid exit and entry of vehicles.
- \* Time out if vehicle reverses out. A vehicle may raise the boom and then reverse out, the logic will time out and lower the boom
- \* Roll back protection. It is possible for a vehicle to roll backwards under the closing boom, the logic will raise the boom again until the vehicle moves forward off the closing loop.
- \* Facility for free exit loop detector.
- \* Selectable sensitivity boost. This feature automatically boosts the sensitivity to a maximum on detection of a vehicle and is used to prevent loss of detection of high-bed vehicles.



## SPECIFICATIONS

TYPE	NV 3 MET	NV 4.5 MET	NV 6 MET
VOLTAGE	240V		
MOTOR POWER	60W		
TORQUE MOTOR	TM 10 25Nm .3 amp FLC	TM 10 25Nm .3 amp FLC	TM 55 65Nm .3 amp FLC
OPENING TIME +/-	2.7 secs	2.7 secs	5.5 secs
DUTY CYCLE	100% continuous		
POLE LENGTH	3m	4.5m	6m
POLE TYPE	White 76mm round with red reflective decals		
CABINET	Zincaneal steal, primed with zinc rich powder and coated with UV resistant white powder with red cover		
CONTROL LOGIC	BL110D or to customer specifications		

**Rotech Automation**

**Rotech LED Lighting**

**Rotech Fire + Safety**

Rotech supply all forms of door + gate automation equipment. Call or email us for more information.

- \* Swing Gate Operators
- \* Sliding Gate Operators
- \* Safety Systems
- \* Industrial Door Operators
- \* Boom Gates
- \* Bollards
- \* Turnstiles
- \* Flap Gates