



Rotech Gate Automation

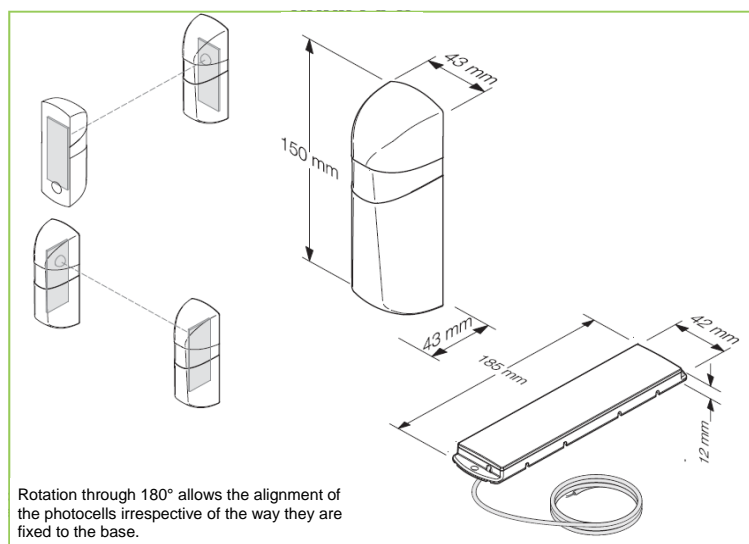
PBS

PE Beam With Solar Panel



The PBS safety PE beam has a battery powered transmitter which is charged by a solar cell. Power cables are only connected to the receiver, with no cables needed across the opening.

The transmitter can also be fitted to the leading edge of a gate and can be used to transmit the status of the safety edge with out any complex connection devices.



TECHNICAL INFORMATION

| | |
|--------------------------|---------------|
| POWER SUPPLY | 24v AC/DC |
| POWER CONSUMPTION | 70mA |
| MAXIMUM DISTANCE | 20 Metre |
| CONTACT RATING | 1 A @ 24v DC |
| PROTECTION | IP 44 |
| DIMENSIONS | 150 x 43 x 43 |

P.O. Box 425, Albany Creek, QLD 4035, Australia

T: +61 (0)7 3205 1123

E: info@rotech.com.au

F: +61 (0)7 3205 1124

www.rotech.com.au