

SMART

Transmitters & Receivers

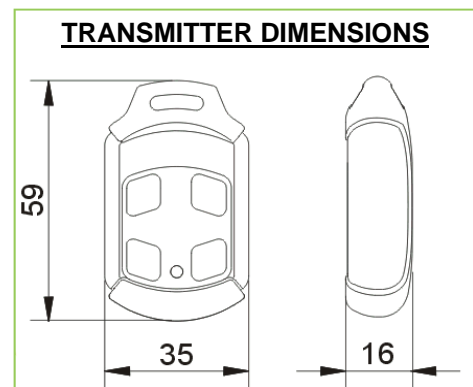
Smart is a remote control system which uses “self learning” technology to make it very quick and easy to set up.

The Smart remote transmitters are compact enough to be fitted onto a key ring and are available with 1, 2, 3 or 4 buttons.

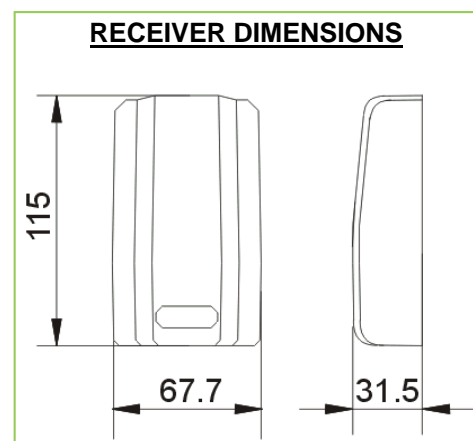
The Centurion receiver is available with 1, 2 or 4 channels. Each channel can be selected for either latching or non latching output. The receiver is housed in its own weatherproof housing allowing quick and easy external mounting for improved range. Up to 1500 transmitters can be used with the Supa Smart version of the Smart receivers.



TECHNICAL DATA - TRANSMITTERS	
Frequency stability	0.032ppm/°C ² 100ppm year
Operating current	17mA
Minimum operating voltage	7V DC
Operating temperature	-15°C to 50°C
Weight with battery	28 grams
Battery type	GP23 12V



TECHNICAL DATA - RECEIVERS	
Supply voltage	12-24V DC
Quiescent current (@12V DC)	11mA
Max current (@12V DC) SR1	40mA
Max current (@12V DC) SR2/3/4	100mA (max.)
Operating temperature	-15°C to 50°C
Humidity	0-90% non condensing
Sensitivity	-95dB
Weight SR1	92 grams



P.O. Box 425, Albany Creek, QLD 4035, Australia

T: +61 (0)7 3205 1123

E: info@rotech.com.au

F: +61 (0)7 3205 1124

www.rotech.com.au