

## TriStar J18

Stainless steel waist height turnstiles



The **TriStar J** series of 304 stainless steel waist height turnstiles have a range of applications in the security and access control field.

With an average throughput of 25 people per minute they are suitable for the largest buildings.

A memory input remembers how many cards are presented and does not lock the turnstile until eight users have passed through the turnstile.

They are designed to control pedestrian access in high traffic areas such as, office blocks, sports centres and public buildings.

The TriStar J series are bi directional and have illuminated indicators showing that the card has been accepted.

They are compatible with all access control cards and proximity systems and the proximity reader can be incorporated inside the turnstile.

### Standard Features

- \* The active arm drops clear in an emergency.
- \* 304 grade stainless steel, can be powder coated to RAL colour of choice.
- \* Highly visible indicators to show tag has been accepted.
- \* Bi directional or single direction.
- \* Hydraulic damper ensures a smooth operation.
- \* RS485 port

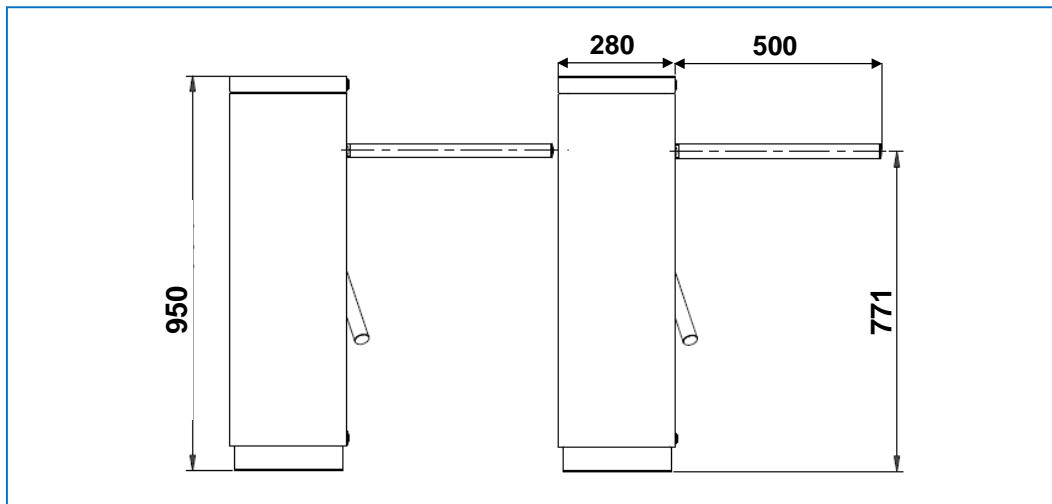
### Options

- \* Inbuilt up/down counter with battery back up
- \* Ethernet connection
- \* Memory input remembers up to eight cards have been presented

## Specifications

<b>Throughput</b>	25 users per minute
<b>Channel Width</b>	550 - 600 mm
<b>Duty Cycle</b>	100%
<b>Safety Devices</b>	Arm drops in emergency
<b>Signal time out</b>	Nil / 6 secs /12 secs /18 secs
<b>Input Signal</b>	12vdc / RS485 / dry contact
<b>Power Supply</b>	240vac
<b>Control Voltage</b>	24vdc
<b>Power Consumption</b>	50w
<b>Protection</b>	IP44
<b>Operating Temperature</b>	- 30°C + 70°C

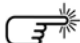
## Dimensions



**Rotech Automation**

**Rotech LED Lighting**

**Rotech Fire + Safety**

Rotech supply all forms of door + gate automation. Phone us or click  [here](#) for more information.

- \* Swing Gate Operators    \* Sliding Gate Operators    \* Safety Systems    \* Industrial Door Operators
- \* Boom Gates                \* Bollards                    \* Turnstiles                \* Flap Gates