

NE-650

Fire Door Operators



Standard Features

- * Controlled Descent.
- * Floor Level Emergency Hand Chain.
- * Mini Standard Starter with 3 phase operator.
- * 24 Volt Control Circuit.
- * Complete Bracket Pack Available.
- * Solenoid & fusible link releases also available.

P.O. Box 425, Albany Creek, QLD 4035, Australia

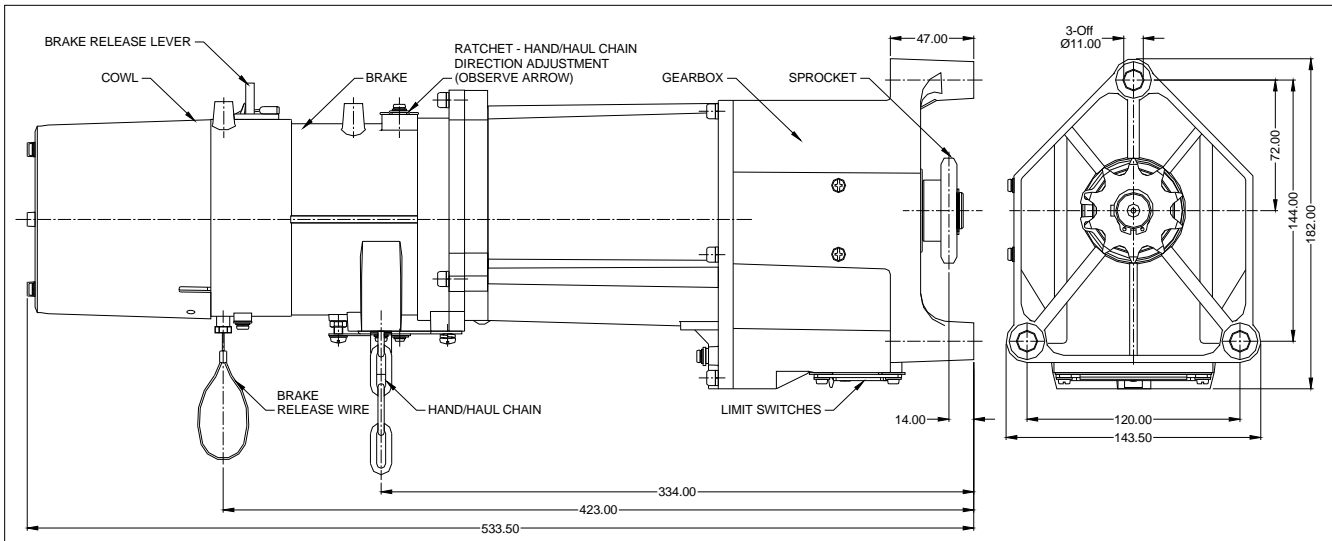
T: +61 (0)7 3205 1123

E: info@rotech.com.au

F: +61 (0)7 3205 1124

www.rotech.com.au

NE-650 Operator General Arrangement.



Model	Torque (Nm)	Power (W)	Voltage / Hz	Current (A)	Output Speed (R.P.M.)	Barrel Speed (R.P.M.)	Lifting Weight 4" Barrel (Kg)	Lifting Weight 5" Barrel (Kg)	Lifting Weight 5.5" Barrel (Kg)	Lifting Weight 6" Barrel (Kg)
NE-650	110	300	415 / 50	1.7	23	4.7	-	575	525	500