

## **NE-650s**

### Fire Door Operators



### **Standard Features**

- \* Controlled Descent.
- \* Floor Level Emergency Hand Chain.
- \* Built on Starter with 1 phase operator.
- \* 24 Volt Control Circuit.
- \* Complete Bracket Pack Available.
- \* Solenoid & fusible link releases also available.

P.O. Box 425, Albany Creek, QLD 4035, Australia

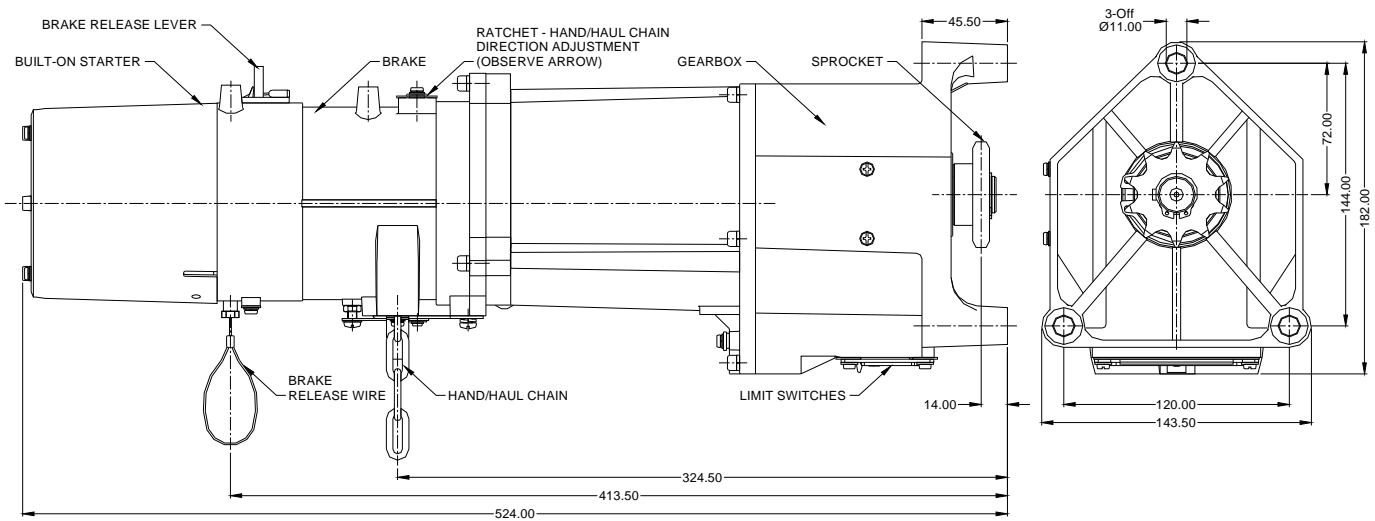
T: +61 (0)7 3205 1123

E: [info@rotech.com.au](mailto:info@rotech.com.au)

F: +61 (0)7 3205 1124

[www.rotech.com.au](http://www.rotech.com.au)

## NE-650s Operator General Arrangement.



Model	Torque (Nm)	Power (W)	Voltage / Hz	Current (A)	Output Speed (R.P.M.)	Barrel Speed (R.P.M.)	Lifting Weight 5" Barrel (Kg)	Lifting Weight 5.5" Barrel (Kg)	Lifting Weight 6" Barrel (Kg)
NE-650s	110	300	230 / 50	2.3	23	4.7	575	525	500

