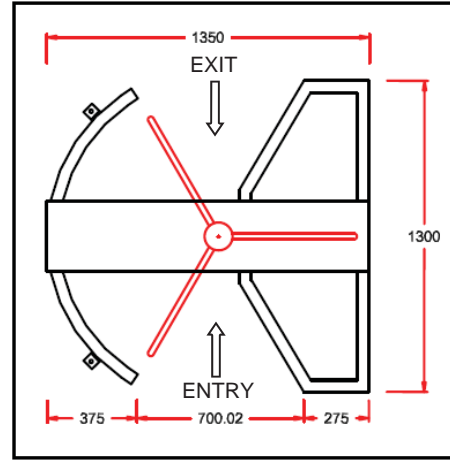


**STANDARD
TURNSTILE**



**NON - STANDARD
TURNSTILE**

All turnstiles are supplied as standard.

**TO CHANGE THE TURNSTILE FROM STANDARD TO
NON-STANDARD**

- The solenoids have different springs and fittings, swap the complete solenoid, from one side to the other.
- The lock and the blanking plate will have to be swapped also.
- This will only change the entry and exit positions of the turnstile but the operation will be the same.

**LOCKED ENTRY, LOCKED EXIT WITH POWER ON
AND FREE EXIT ON POWER FAILURE.**

NOTE : The concrete pad should be 20Mpa (min) 150 mm thick) cured for 7 days on a suitably compacted foundation. Hold down anchors (6) to be 10mm dial x 75mm into the concrete.