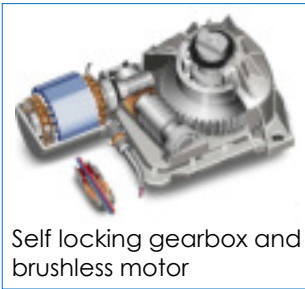


Sentinel R21 In Ground Swing Gate Operator

Heavy duty swing gate operator for industrial gates



Self locking gearbox and brushless motor



Hot galvanised foundation box and lid



Release system with standard lever

The R21 is suitable for large industrial gates up to 3500mm wide.

The operator is fitted in ground under the gate hinge and can open to 180 degrees.



The R21 is particularly useful where you have gates fitted to large brick pillars and conventional linear gate openers cannot be fitted.

Included in the kit: two Nova radio control transmitters and one receiver, all mounting brackets, drive arms and external key release.

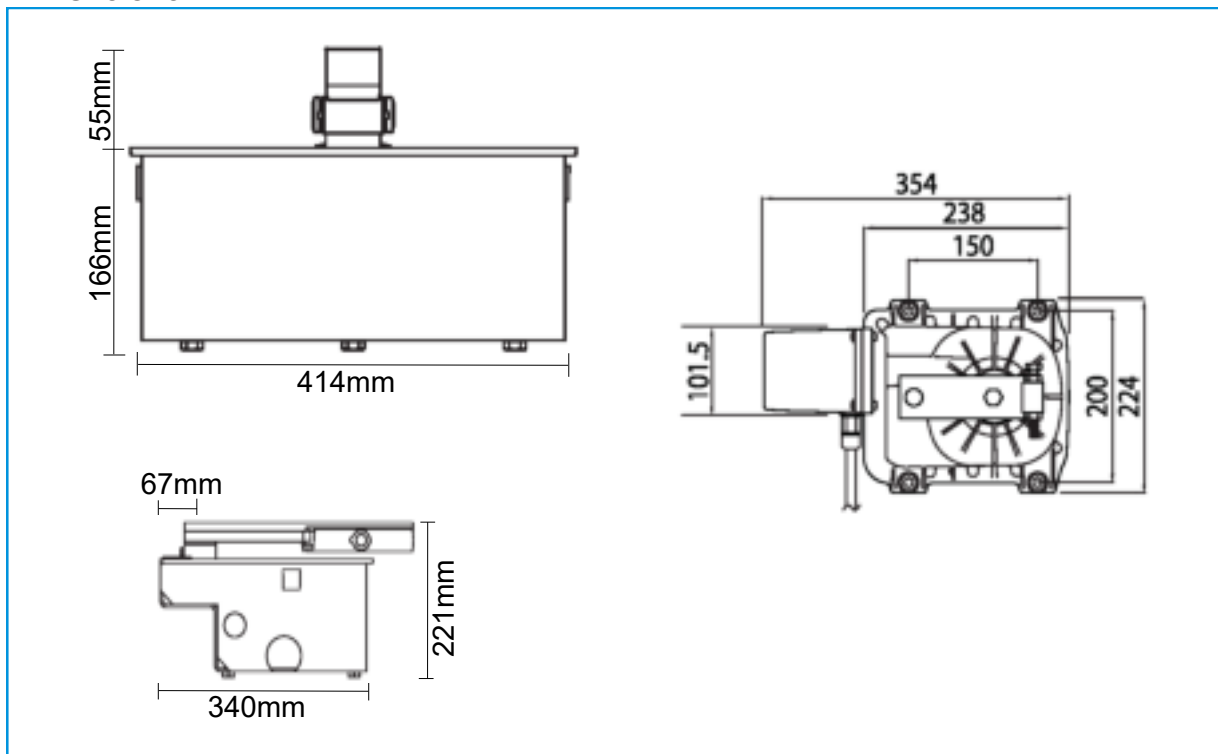
The Sentinel R21 features include:

- **Reliable and robust:** The gearbox with machined steel gears and heavy duty bearings is enclosed in a die cast casing which is waterproof to IP67.
- **Smooth operation:** The absolute encoder constantly monitors the speed and position of the gate. This allows the control panel to accurately ramp down the speed on closing providing a smooth operation and longer life.
- **Precision speed control:** The option to have various operating speeds aids the flow of traffic, slow for large trucks and faster for cars.
- **Security:** The strong gearbox and self locking mechanism prevents damage from vandalism as the gate cannot be forced.
- **Reliable and efficient:** The revolutionary brushless motor provides much greater efficiency - with ultra low power consumption.
- **Essential safety features are covered:** Optional loop detectors and safety beams ensure vehicles and pedestrians alike are protected.
- **Foundation box:** Compact and robust foundation boxes available with cover made from hot galvanized steel and AISI 304 stainless steel.
- **Intelligent release:** can be released internally and externally using a standard lever or key release system.
- Mechanical adjustable stop when closing and opening.

Technical Specifications

Specifications	Sentinel R21 Gate Opener	
Maximum Size and Weight	Leaf Size (Metres)	Max Weight (Kg)
	2	700
	3	500
	4	350
	4.8	200
Power	230V AC 50Hz	
Power Rating	200W	
Max Thrust	300 N	
Frequency of Use	30%	
Operating Temperature	-20+55°	
Protection Level	IP 67	
Opening Time at 90°	19 s	
Maximum Opening	180°	
Power Supply Cable Length	2m	
Limit Switch	Mechanical stops	
Gearbox	Irreversible	

Dimensions



Rotech supply all forms of door and gate automation

Vehicle Access Control

- Booms Gates
- Sliding Gates
- Swing Gates
- Industrial Door Openers
- Solar Powered Gate Openers

Pedestrian Access Control

- Full Height Turnstiles
- Waist Height Turnstiles
- Supermarket Gates/Turnstiles
- Wheelchair Access Gates
- Rapid Access Gates

Fast | Safe | Secure