



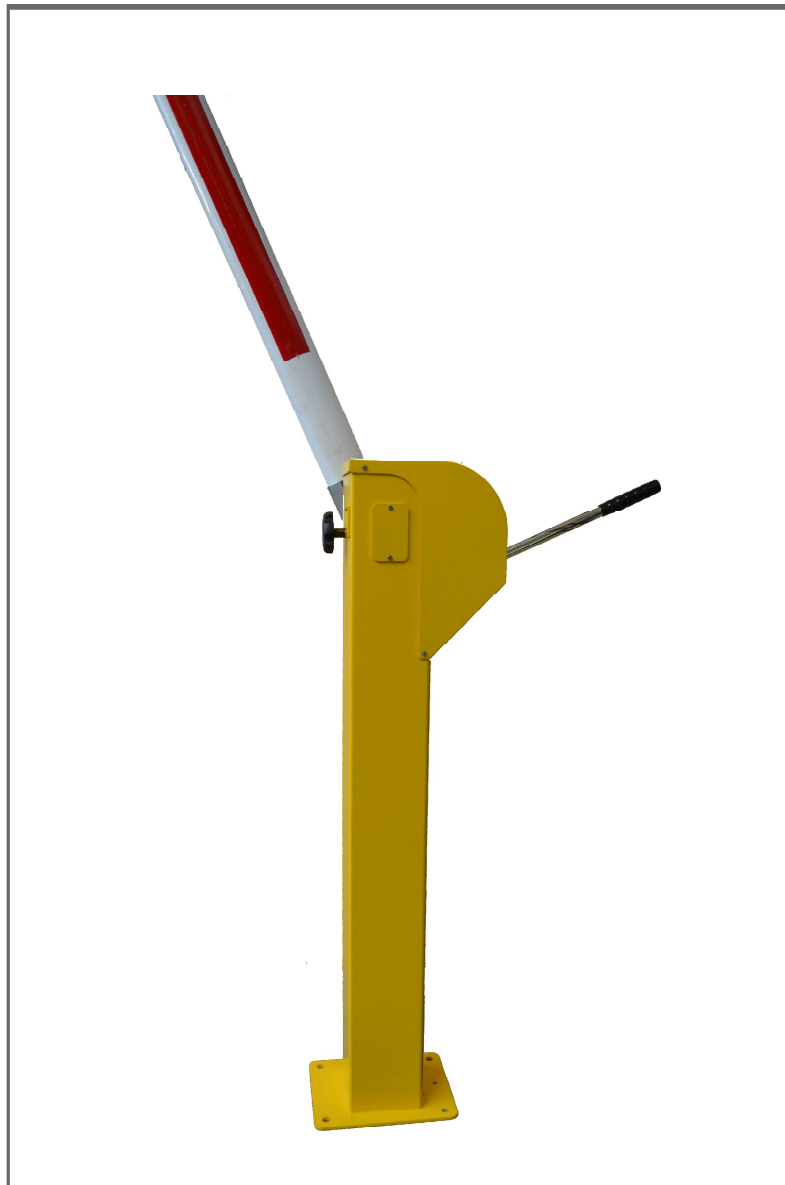
Vehicle Access Control
Pedestrian Access Control
Safety & Security Equipment

T: +61 7 3205 1123

www.rotech.com.au

e: info@rotech.com.au

SENTINEL MB2 MANUAL BOOM GATE Installation Instructions (0717)



SPRING ASSEMBLY

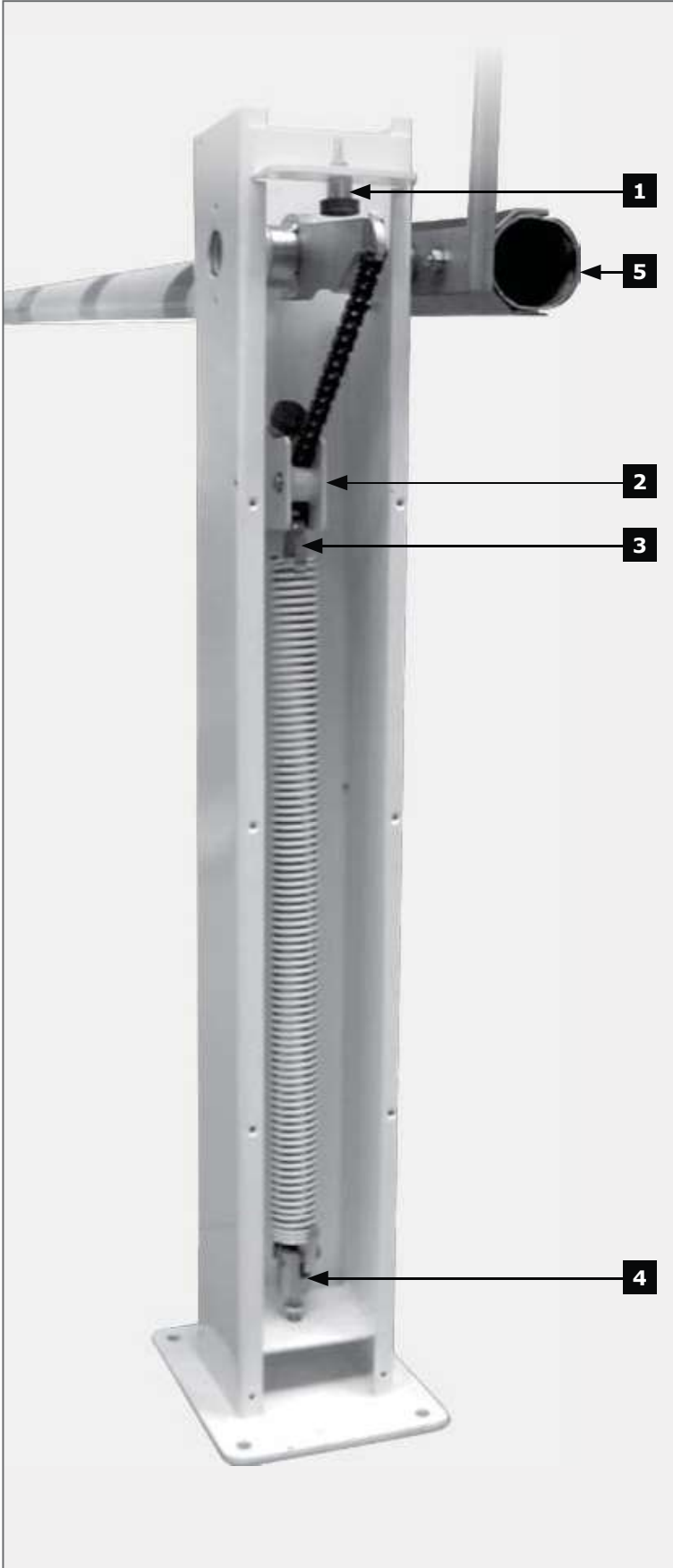


FIGURE 1. SENTINEL BARRIER INTERNAL SPRING ASSEMBLY

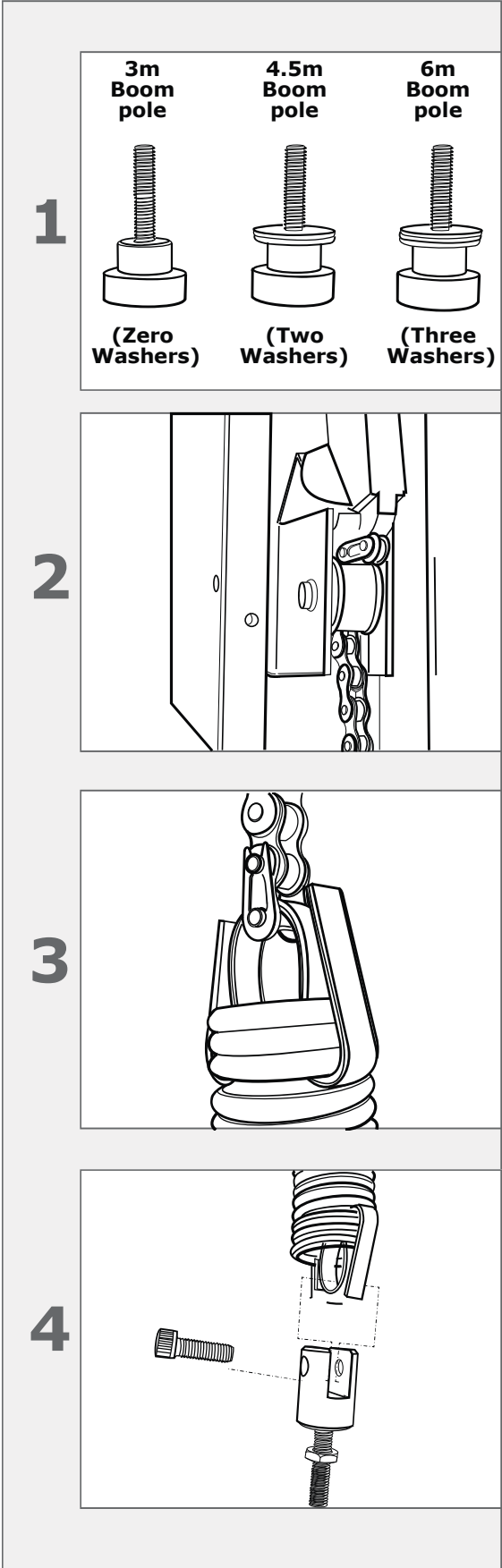


FIGURE 2

Spring Fitment Guide

Boom pole profile	Pole length	Number of springs required
76.2 x 1.27 Aluminium tube = 0.81kg/m	3m	1 (white)
76.2 x 1.27 Aluminium tube = 0.81kg/m	4.5m	1 (red)
76.2 x 1.27 Aluminium tube = 0.81kg/m	6m	1 (black)

Base Plates

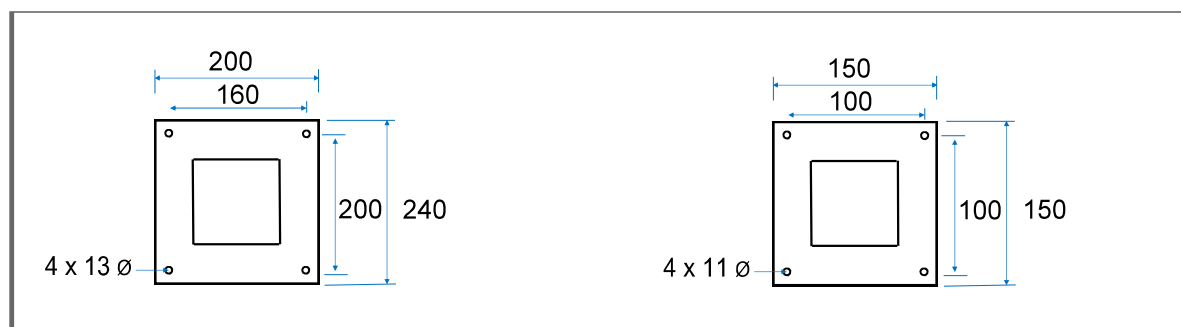


FIGURE 3

Please Note: LOCKING DETAILS

The pole can only be locked in the fully open or closed position.

Screw thumb wheel in to unlock and out to lock.

For extra security a padlock can be fitted when the pole is in the closed position.

FITTING THE BOOM POLE

1. Use the external clamping piece as a template, mark and drill the 10.5 mm holes in the boom pole.

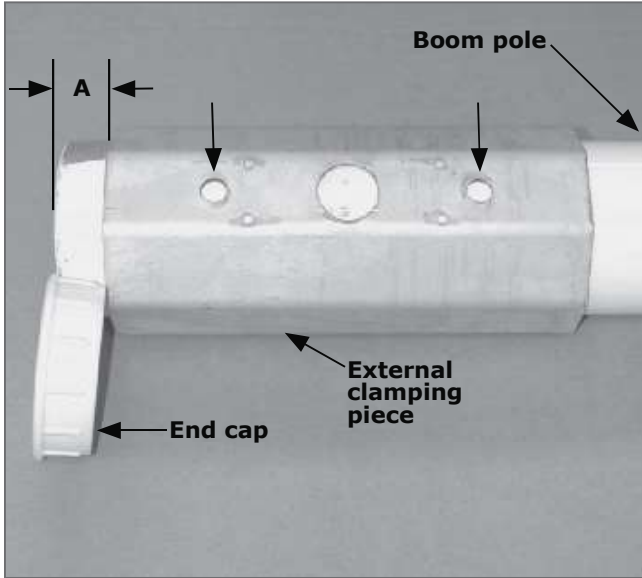


FIGURE 4

2. Fit the internal clamping piece into the boom pole. The stud must fit through the upper hole.

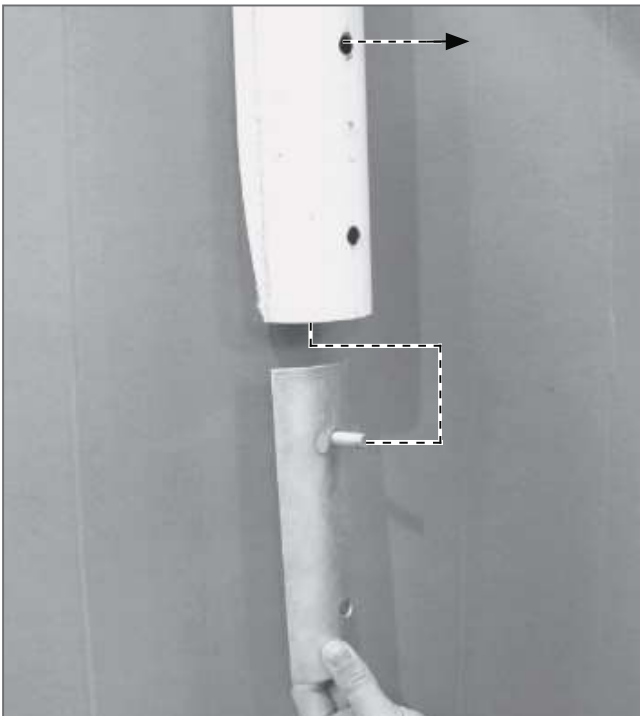


FIGURE 5

3. Fit the boom pole and internal clamping piece into the external clamp.



FIGURE 6

4. Fit the M10 bolt through the boom pole and clamps.

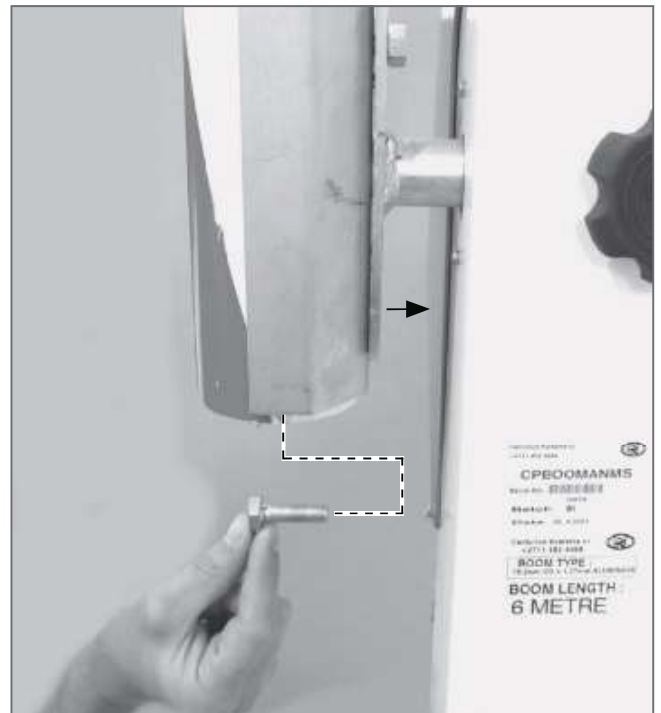


FIGURE 7

5. Fasten the M10 nuts onto the bolts and tighten. Fit the end cap to the boom pole.



FIGURE 8

6. Fit the operating handle to the boom using the lower bolt. Fasten the assembly by tightening a second nut onto the bolt.



FIGURE 9