

TriStar J18 Turnstiles

Stainless steel waist height turnstiles

The TriStar J series of 304 stainless steel waist height turnstiles have a range of applications in the security and access control field.

Designed to control pedestrian access in high traffic areas such as office blocks, sports centres and public buildings, these turnstiles have an average throughput of 25 people per minute making them suitable for the largest buildings.



The TriStar J series waist height turnstiles are bi directional and have illuminated indicators showing that the card has been accepted. A memory input remembers how many cards are presented and does not lock the turnstile until all users who have presented their cards have passed through the turnstile.

They are compatible with all access control cards and proximity systems and the proximity reader can be incorporated inside the turnstile.

Safe exit from a building in an emergency or a fire is an essential feature of any access control equipment. The TriStar turnstiles can connect to the fire alarm system and the arms drop down immediately to allow easy exit in an emergency.

The turnstile is free standing, and is installed by bolting to the floor and all electrical cabling is concealed within the frame.

The cabinet is made from 304 stainless steel and its elegant design makes it suitable for even the most up-market site.

TriStar J18 Turnstile Features

- The active arm drops clear in an emergency.
- 304 grade stainless steel
- Highly visible indicators to show tag has been accepted.
- Bi directional or single direction.
- Hydraulic damper ensures a smooth operation.
- RS485 port

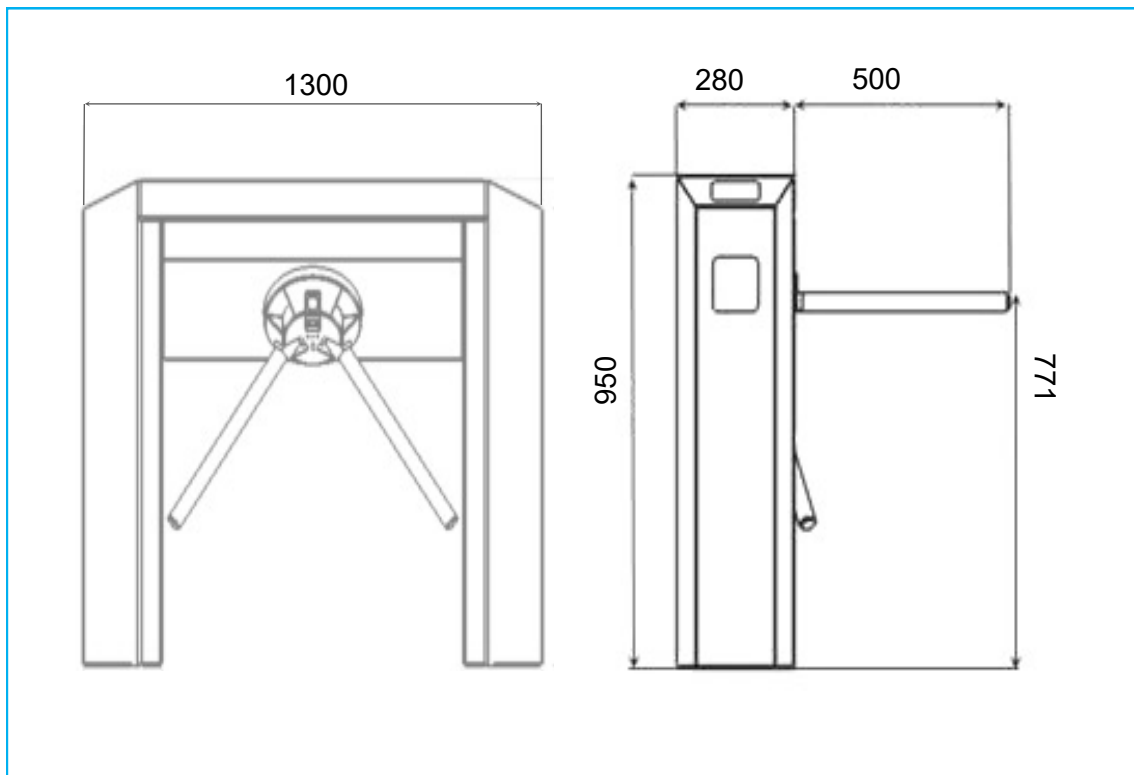
Optional features

- Inbuilt up/down counter with battery back up
- Ethernet connection

Technical Specifications

Specification	TriStar J18 Turnstiles
Throughput	25 users per minute
Channel Width	550 - 600 mm
Duty Cycle	100%
Safety Devices	Arm drops in emergency
Signal time out	Nil / 6 secs /12 secs /18 secs
Input Signal	12vdc / RS485 / dry contact
Power Supply	240vac
Control Voltage	24vdc
Power Consumption	50w
Protection	IP 55
Operating Temperature	- 30°C + 70°C

Dimensions



Rotech supply all forms of door and gate automation

Vehicle Access Control

- Booms Gates
- Sliding Gates
- Swing Gates
- Industrial Door Openers
- Solar Powered Gate Openers

Pedestrian Access Control

- Full Height Turnstiles
- Waist Height Turnstiles
- Supermarket Gates/Turnstiles
- Wheelchair Access Gates
- Rapid Access Gates

Fast | Safe | Secure

For more information: t: +61 07 3205 1123 | www.rotech.com.au | e: info@rotech.com.au

V0413